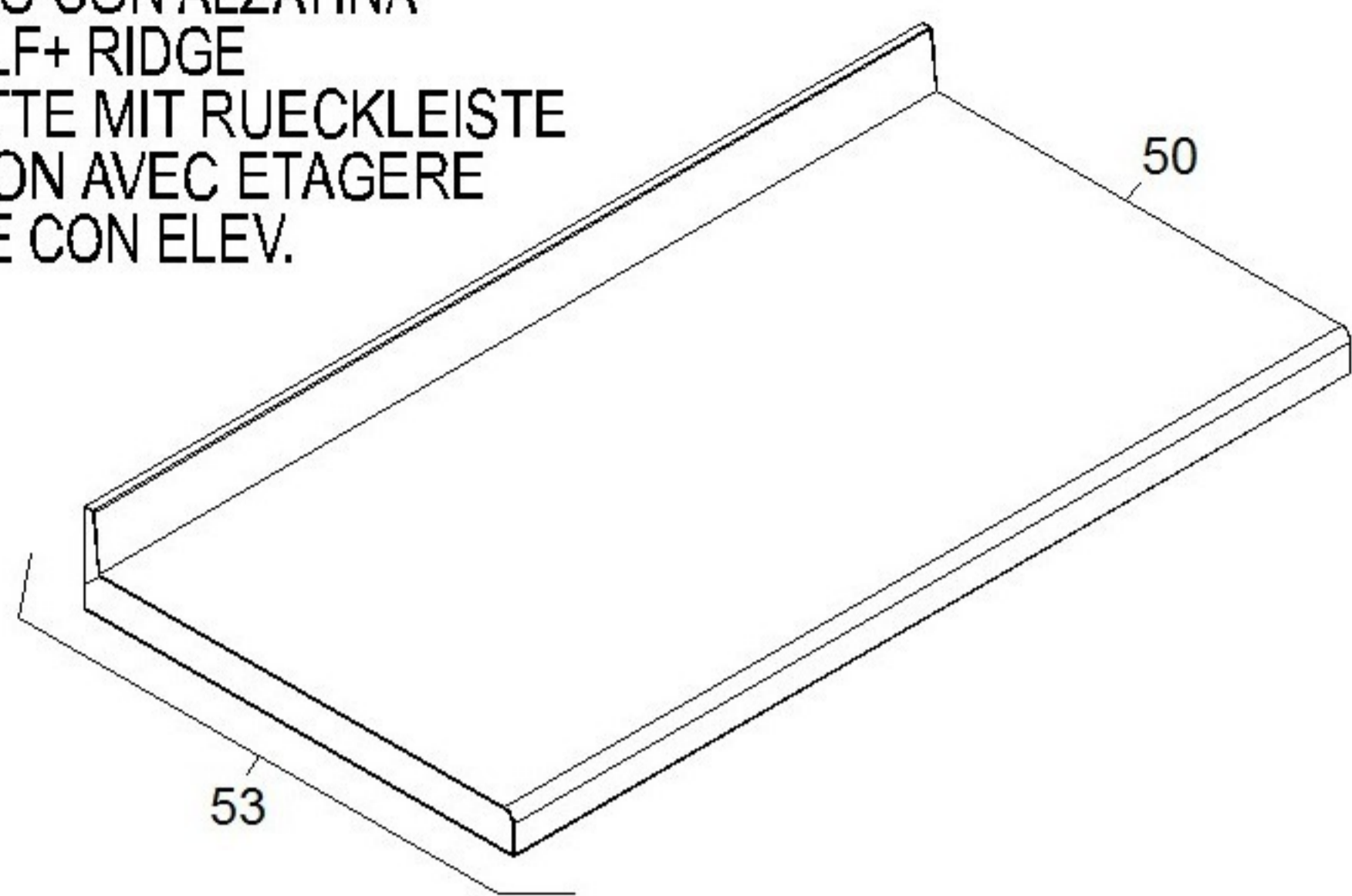
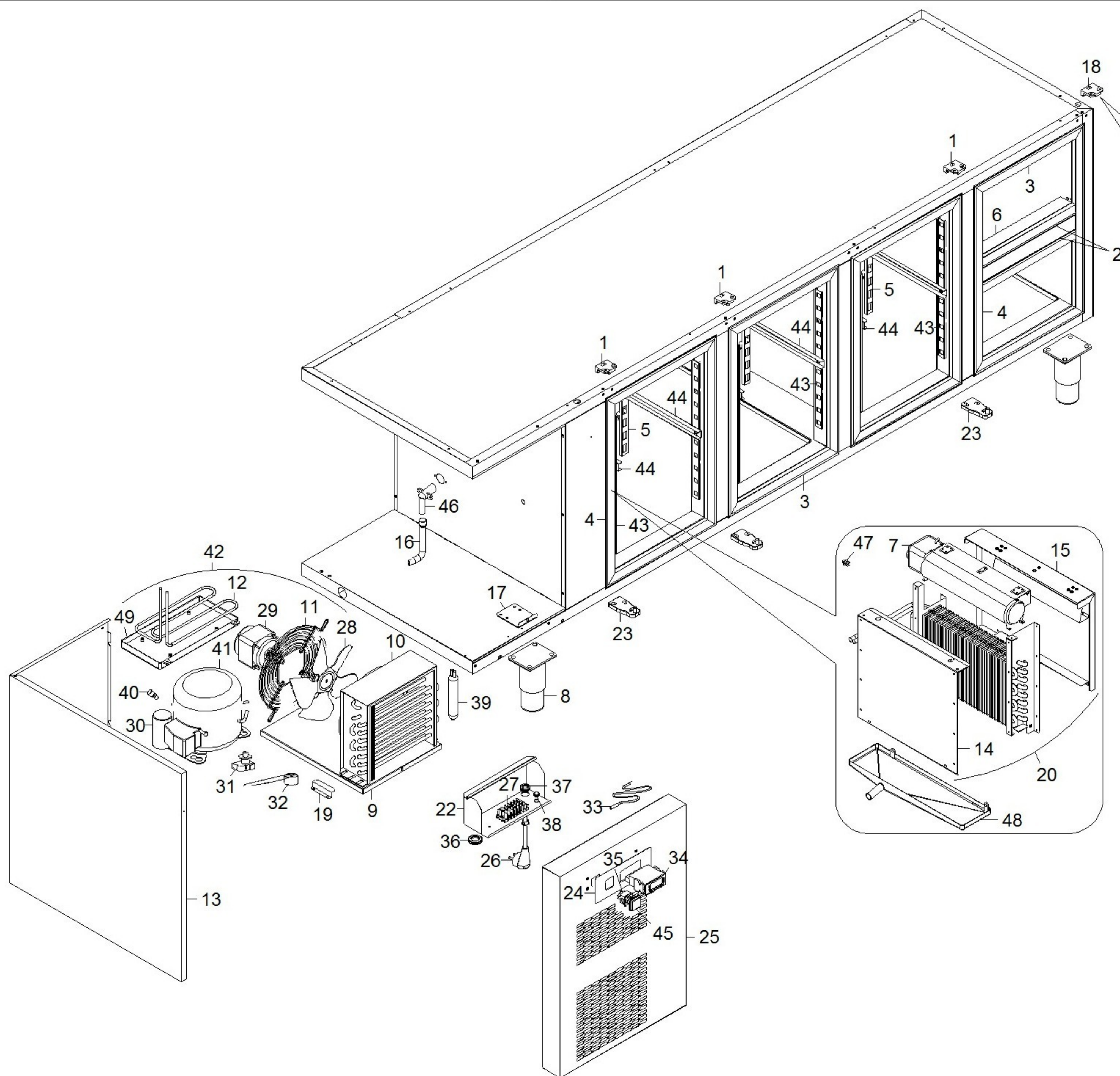
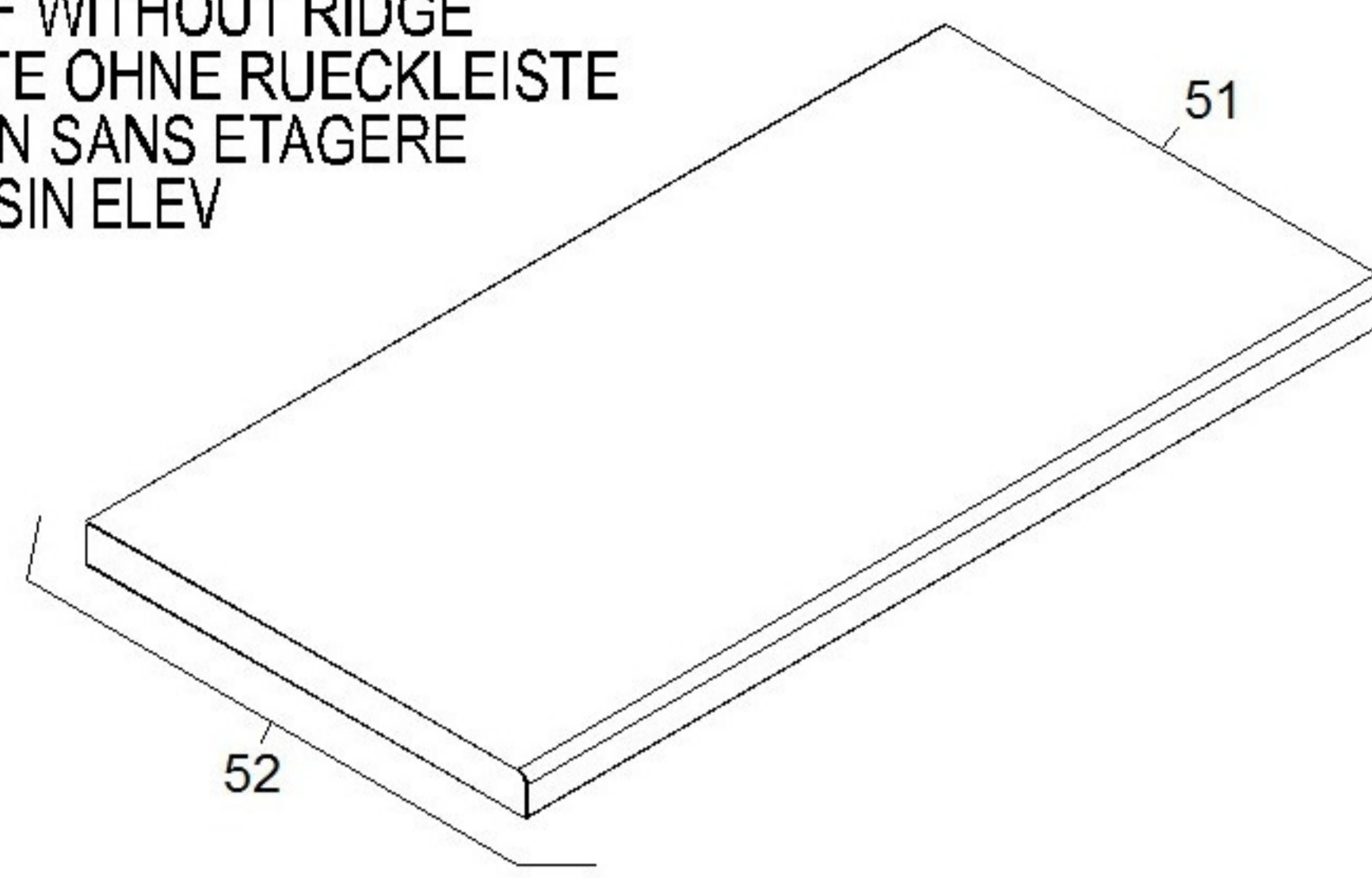


/A=PIANO CON ALZATINA
 /A=SHELF+ RIDGE
 /A=PLATTE MIT RUECKLEISTE
 /A=RAYON AVEC ETAGERE
 /A=TOPE CON ELEV.



/M=PIANO SENZA ALZATINA
 /M=SHELF WITHOUT RIDGE
 /M=PLATTE OHNE RUECKLEISTE
 /M=RAYON SANS ETAGERE
 /M=TOPE SIN ELEV



SOLO PER CASSETTI
 DRAWERS ONLY
 NUR FUER SCHBLADEN
 SEULEMENT POUR TIROIRS
 SOLO GAVETAS

Modello Typ Model Modelle Modelo

| | | 6VA 6VAA 6VAM | 6VA2 6VA2A 6VA2M | 6VB 6VBA 6VBM | 6VB2 6VB2A 6VB2M | 6VB4 6VB4A 6VB4M | 6VB11 6VB11A 6VB11M | 6VC 6VCA 6VCM | 6VC2 6VC2A 6VC2M | 6VC4 6VC4A 6VC4M |
|---|--------------------------------|---------------------|------------------------|---------------------|------------------------|------------------------|---------------------------|---------------------|------------------------|------------------------|
| Num.cassetti Schublad Drawers Tiroirs Gabetas | 1/2SUP 1/2INF 1/3 2/3 | - - - - | 1 1 - - | - - - - | 1 1 - - | 2 2 - - | - - 1 1 | - - - - | 1 1 - - | 2 2 - - |
| Porte Türen Doors Portes Puertas | | 2 | 1 | 3 | 2 | 1 | 2 | 4 | 3 | 2 |

